

ROBOTTI

We automate farming

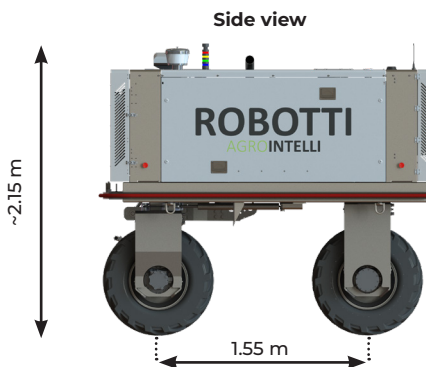
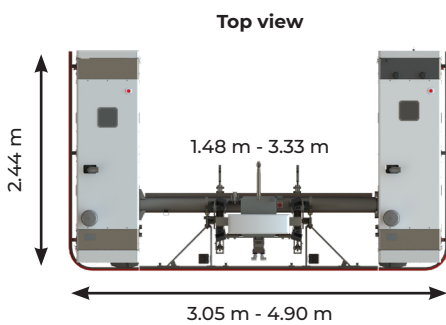
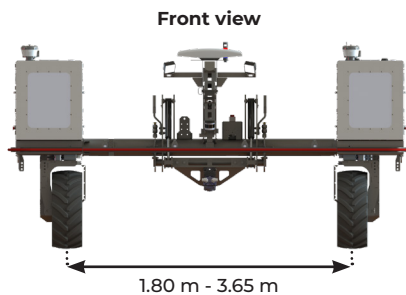


Specialized for power intensive operations

ROBOTTI 150D

ROBOTTI 150D is a field robot for power intensive operations, with 2 engines, a PTO and a traditional diesel-hydraulic setup. It is the initial product of AGROINTELLI, blazing a trail for the ROBOTTI platform, operating in more than 15 countries.

Choose your working width



Note: Other measurements available on request

Technical specifications

ENGINE	
Manufacturer	Kubota, diesel
Number of engines	2
Cylinders per engine	4
Total engines gross power	106/144 (kW/hp)
Battery voltage	12V
Environmental standard	EPA/CARB Tier4 + EU Stage V
Diesel tank	2x100 L
TRANSMISSION SYSTEM	
Forward speed in automated mode	Up to 5 km/h (3,1 mph)
Forward speed in manual mode	Up to 10 km/h (6,2 mph)
HYDRAULIC SYSTEM	
Hydraulics	Poclair standard
Hydraulic connectors	1 double acting outlet (max. 40 l/min) + free return
PTO	Heavy duty PTO engine (20 kW 540 RPM or 40 kW 1000 RPM)
SAFETY AND NAVIGATION	
Pressure sensitive bumper and emergency stop buttons	Standard
GNSS-based virtual fencing	Standard
Remote controller/joystick	Standard
LIDAR laser scanner	Standard
RTK-GNSS (GPS)	Standard
Vision computer and camera package (front and rear)	Optional
Light package (front and rear)	Optional
ADDITIONAL SPECIFICATIONS	
Lift capacity of the tree-point hitch	750 kg
Dry weight	3150 kg
Drive system	4-wheel drive
Steering	2-wheel steering / Zero-Turn



Wide (Default)
BKT Agrimax 320-65 R16
Width: 31.9 cm



Narrow
BKT Agrimax 260-70 R16
Width: 25.8 cm

AGROINTELLI

Please do not hesitate to contact us for further information.

Agro Intelligence ApS
Agro Food Park 13,
8200 Aarhus N, Denmark

+45 93 63 30 01
contact_us@agrointelli.com
www.agrointelli.com